

7580 series Tablet style enclosures

No design charges - No tooling

Simply provide your internal dimensions for a free quotation

Product overview

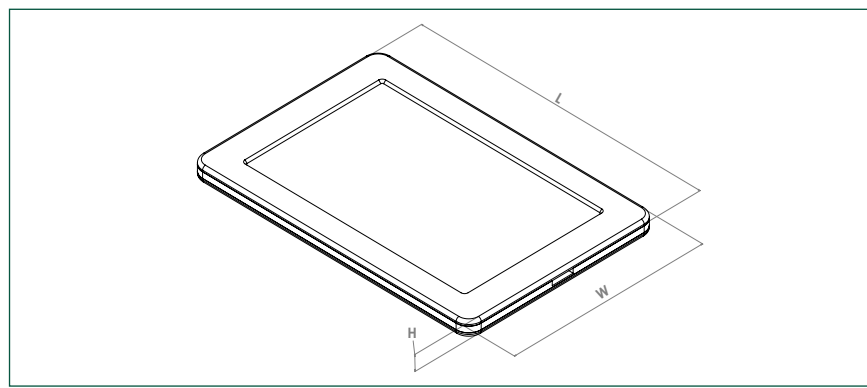
Clip together enclosures manufactured in **custom** sizes to fit your PCB assembly and components.

Features

- Tablet style enclosures ideal for dynamic display industry
- Manufactured to your custom specifications
- Various material colour and specification options
- Manufactured to order on short lead-times

Options

- Manufactured in either HIPS UL94-HB, ABS acrylic capped or listed ABS UL94-V0
- CNC milling (holes, cut-outs, vents, pockets, pillars, windows)
- Digital printing
- Thicker materials



PART NO.	LENGTH (INT)	WIDTH (INT)	HEIGHT (INT)	LENGTH (EXT)	WIDTH (EXT)	HEIGHT (EXT)
7581	138mm	58mm	7mm	158mm	78mm	10mm
7582	180mm	115mm	7mm	200mm	135mm	10mm
7583	221mm	166mm	7mm	241mm	186mm	10mm
Custom size	Please advise dimensions					

Available in a range of colours:



KEY FEATURES

Snap together case | Fit any size LCD | Two piece construction

